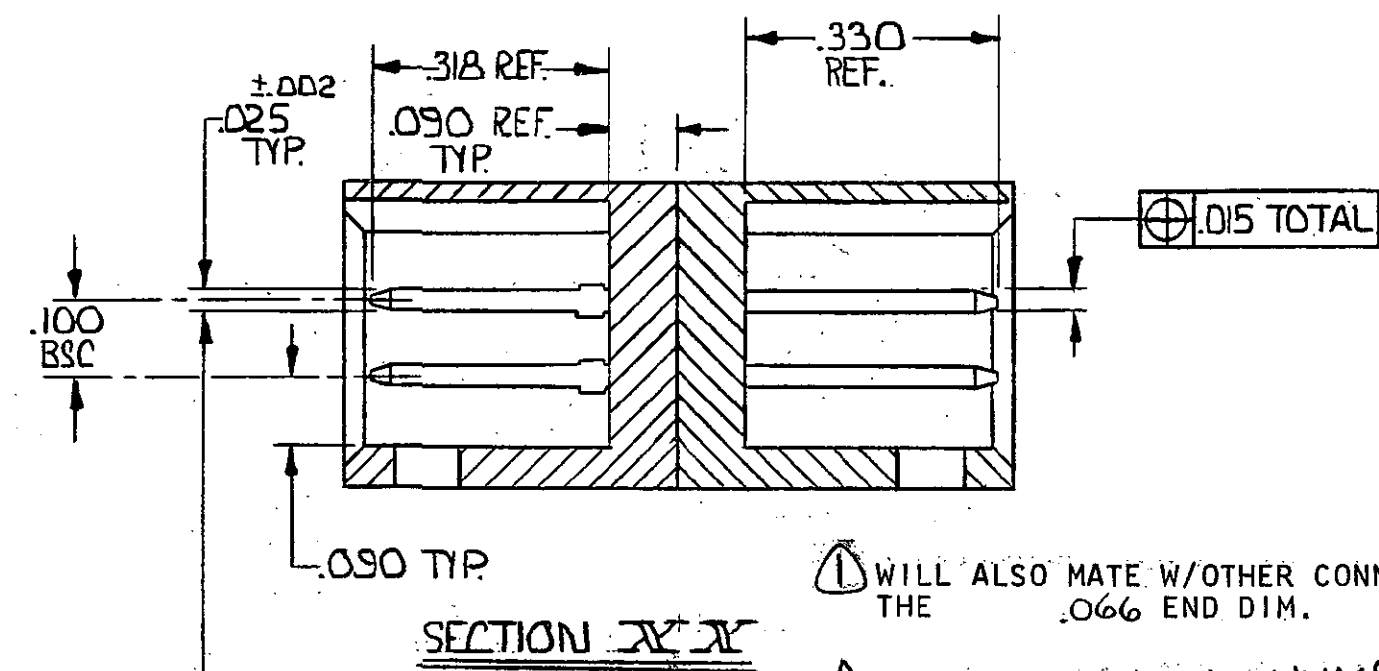
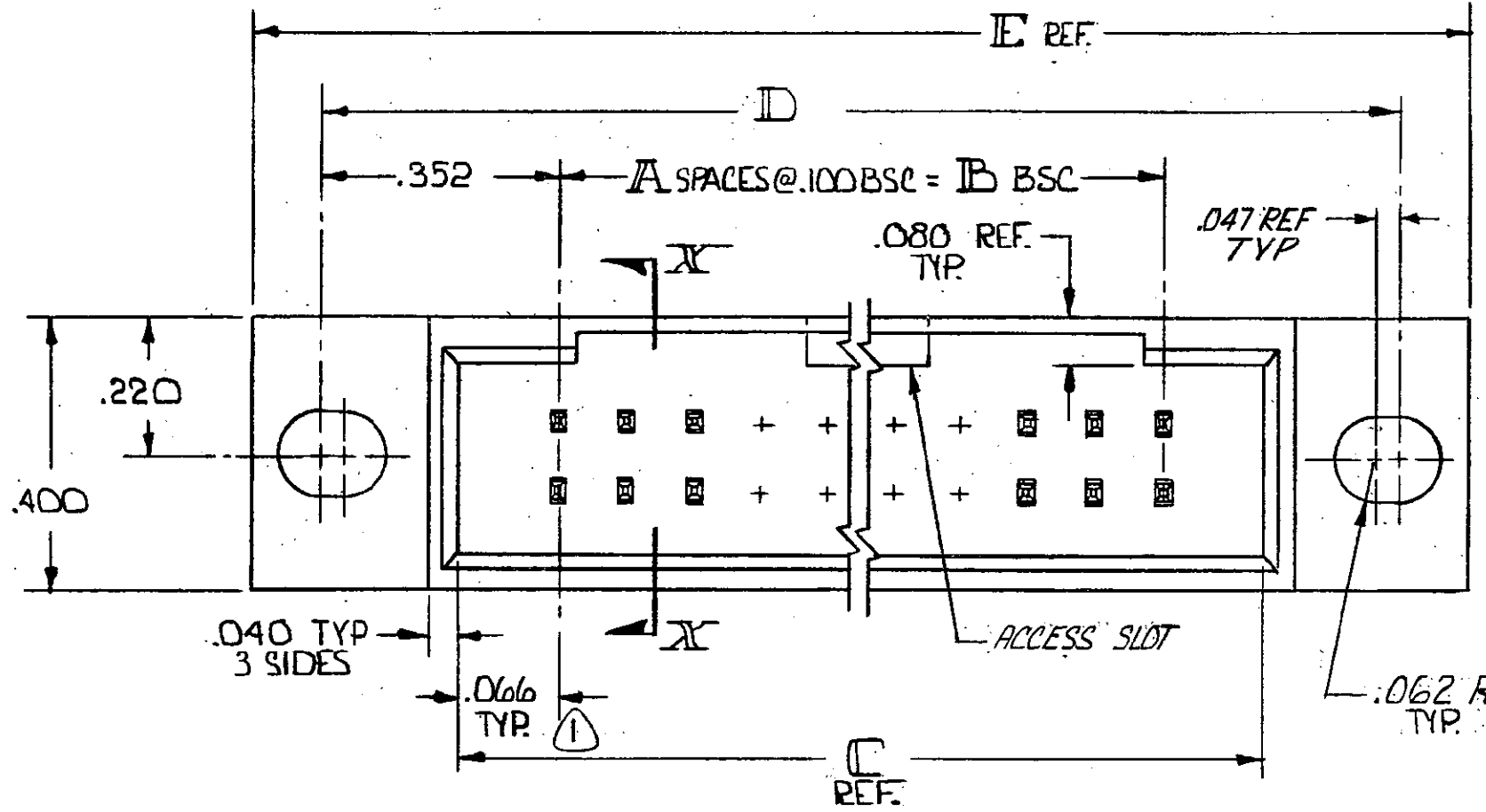
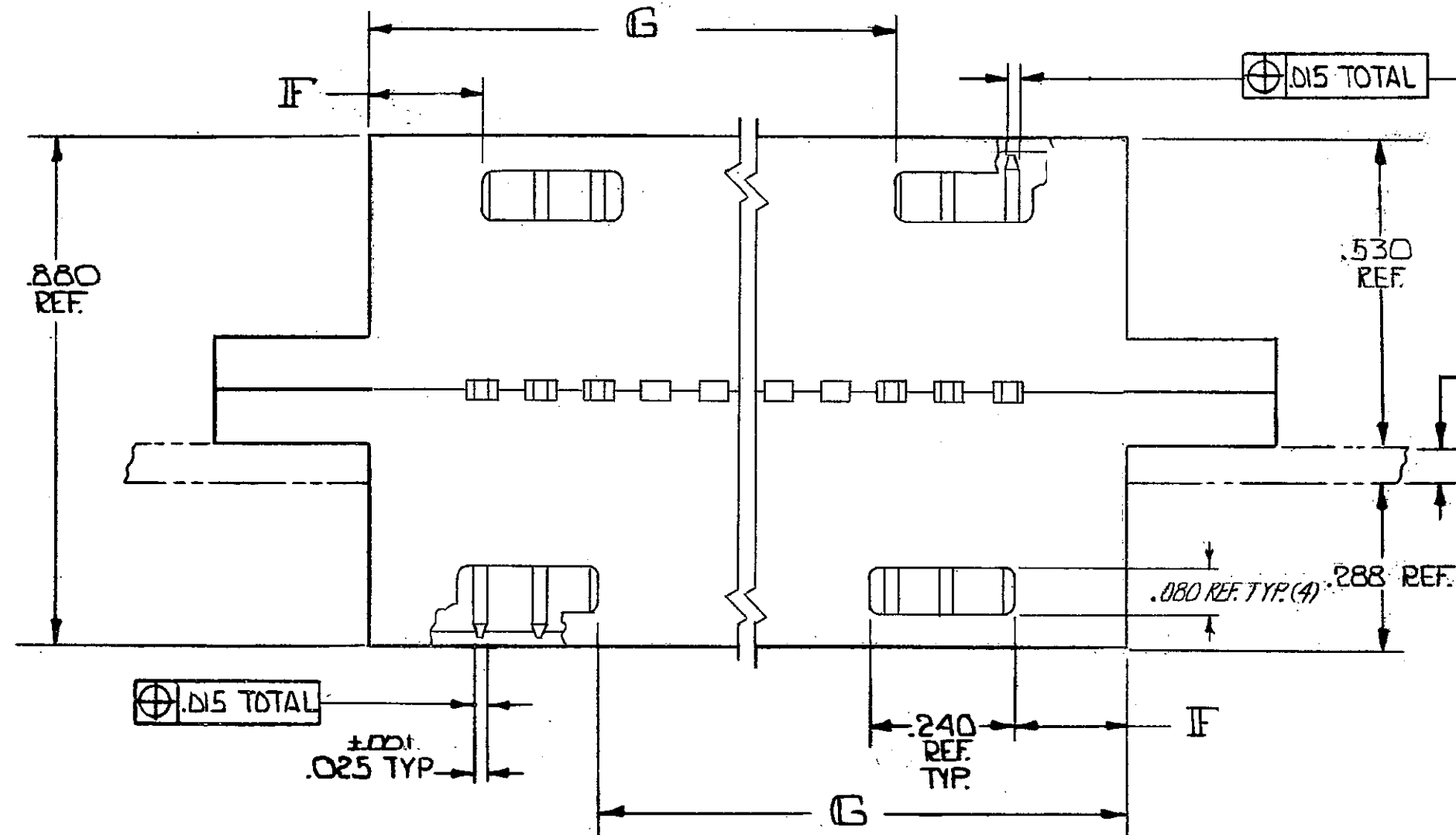


© COPYRIGHT 1975-83 BY AMP INCORPORATED, HARRISBURG, PA. ALL INTERNATIONAL RIGHTS RESERVED. AMP INCORPORATED PRODUCTS COVERED BY U. S. AND FOREIGN PATENTS AND/OR PATENTS PENDING.

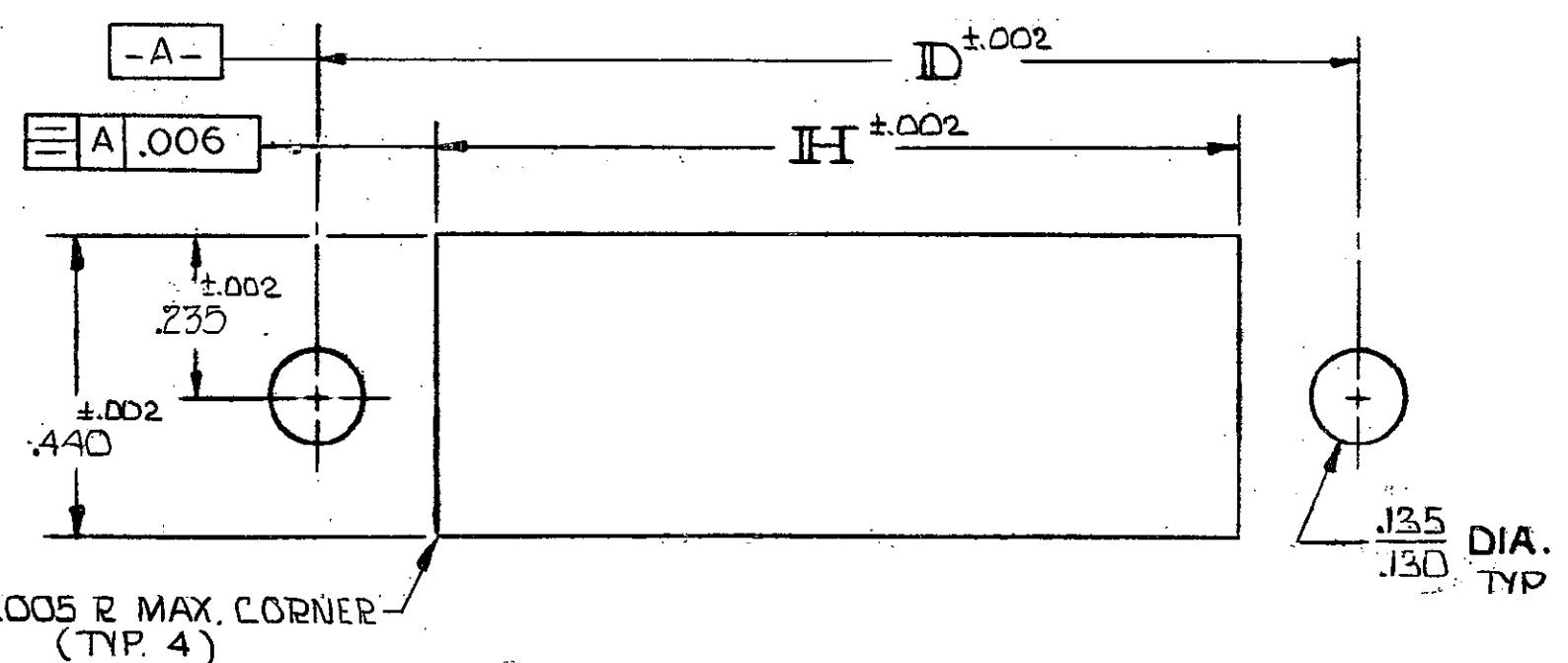
REVISIONS				
P/F	ZONE/LTR	DESCRIPTION	DATE	APPROVED
	G	REV PER 0310-0025-98	04OCT01	JO



Ⓛ WILL ALSO MATE W/OTHER CONNECTORS WHICH ARE COMPATIBLE WITH THE .066 END DIM.
 Ⓜ OBSOLETE PART NUMBER



3.132	2.806	.106	3.804	3.604	3.032	2.900	29	60	2-87608-6
3.032	2.706		3.704	3.504	2.932	2.800	28	58	2-Ⓜ -5
2.932	2.606		3.604	3.404	2.832	2.700	27	56	2-Ⓜ -4
2.832	2.506		3.504	3.304	2.732	2.600	26	54	2-Ⓜ -3
2.732	2.406		3.404	3.204	2.632	2.500	25	52	2-Ⓜ -2
2.632	2.306		3.304	3.104	2.532	2.400	24	50	2- -1
2.532	2.206		3.204	3.004	2.432	2.300	23	48	2-Ⓜ -0
2.432	2.106		3.104	2.904	2.332	2.200	22	46	1-Ⓜ -9
2.332	2.006		3.004	2.804	2.232	2.100	21	44	1-Ⓜ -8
2.232	1.906		2.904	2.704	2.132	2.000	20	42	1-Ⓜ -7
2.132	1.806		2.804	2.604	2.032	1.900	19	40	1- -6
2.032	1.706		2.704	2.504	1.932	1.800	18	38	1-Ⓜ -5
1.932	1.606		2.604	2.404	1.832	1.700	17	36	1-Ⓜ -4
1.832	1.506		2.504	2.304	1.732	1.600	16	34	1- -3
1.732	1.406		2.404	2.204	1.632	1.500	15	32	1-Ⓜ -2
1.632	1.306		2.304	2.104	1.532	1.400	14	30	1-Ⓜ -1
1.532	1.206		2.204	2.004	1.432	1.300	13	28	1-Ⓜ -0
1.432	1.106		2.104	1.904	1.332	1.200	12	26	-9
1.332	1.006		2.004	1.804	1.232	1.100	11	24	-8
1.232	.906		1.904	1.704	1.132	1.000	10	22	Ⓜ -7
1.132	.806	.106	1.804	1.604	1.032	.900	9	20	-6
1.032	—	.406	1.704	1.504	.932	.800	8	18	-5
.932	—	.306	1.604	1.404	.832	.700	7	16	Ⓜ -4
.832	—	.306	1.504	1.304	.732	.600	6	14	Ⓜ -3
.732	—	.206	1.404	1.204	.632	.500	5	12	-2
.632	—	.206	1.304	1.104	.532	.400	4	10	87608 -1
H	G	F	E	D	C	B	A	NO. OF PDS.	PART NO.



RECOMMENDED PANEL CUT-OUT

UNLESS OTHERWISE SPECIFIED DIMENSIONS ARE IN INCHES. TOLERANCES ON: DECIMALS ±.005 ANGLES	CONTRACT NO.	AMP INCORPORATED Harrisburg, Pa.
	DR: <i>D. Lerner</i> 5/18/75 CHK: <i>D. Wittke</i> 9-18-75 APPD: <i>Bennett</i> 9/22/75 APPD: <i>R. Clark</i> 9/22/75 DSGN APPD: OTHER APPD:	
MATERIAL HSG'S. - GLASS FILLED NYLON COLOR: BLACK CONTACT - PHOS BRONZE	FINISH CONTACT - 000030 GOLD OVER 000050 NICKEL	SIZE: C CODE IDENT NO: 00779 DRAWING NO: 87608 SCALE: SHEET: 1 of 1